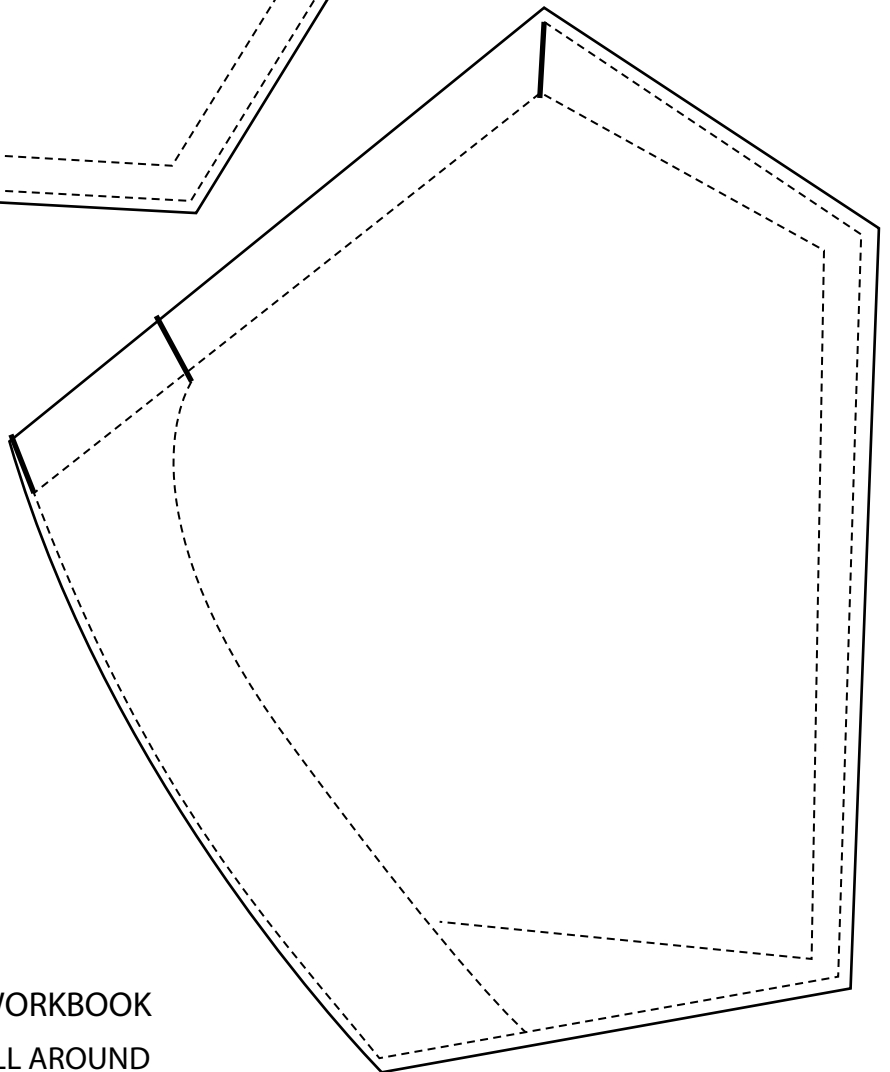
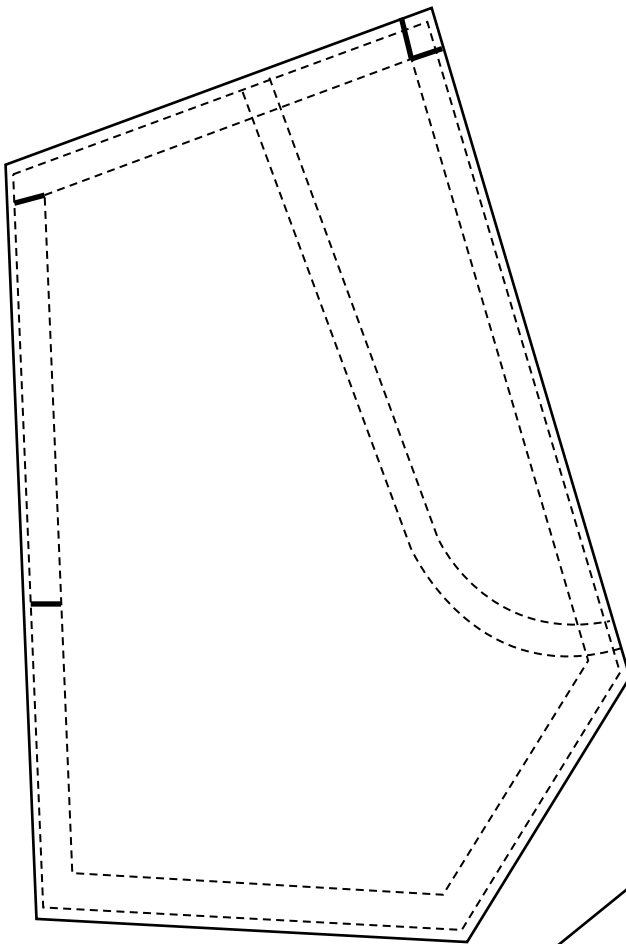
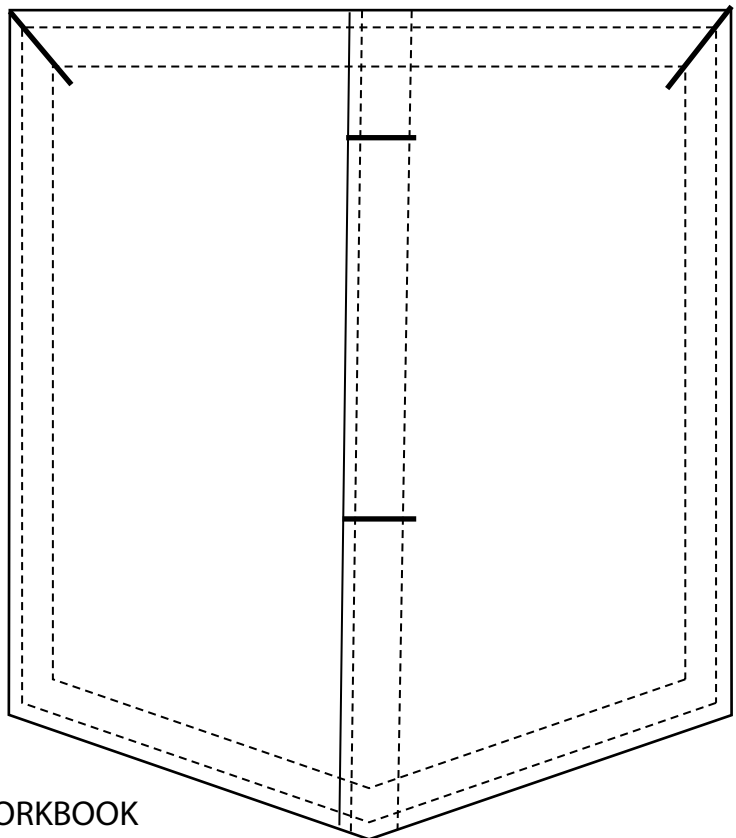
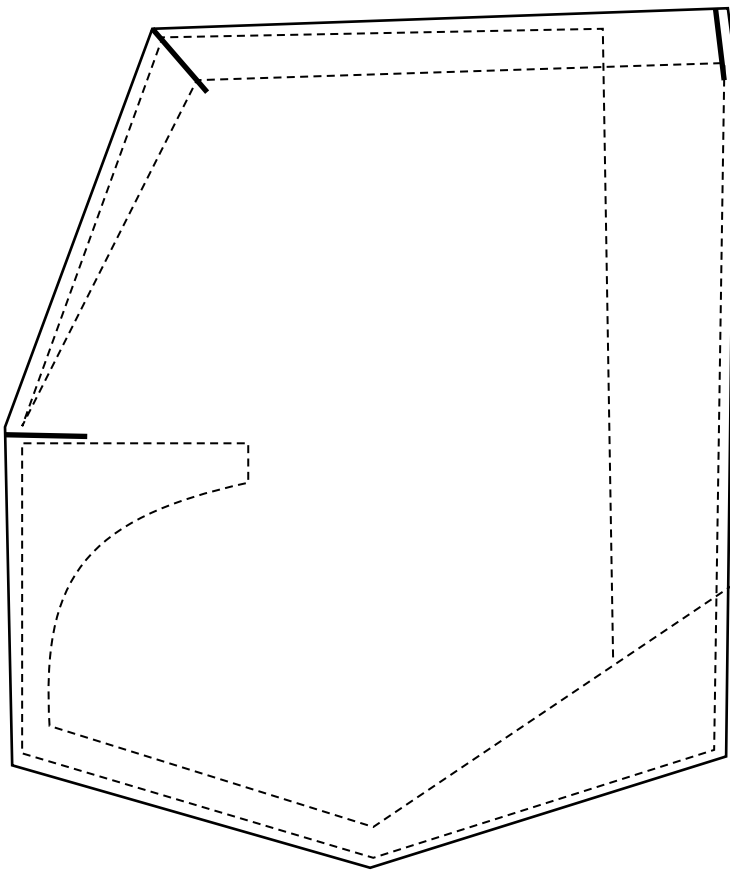


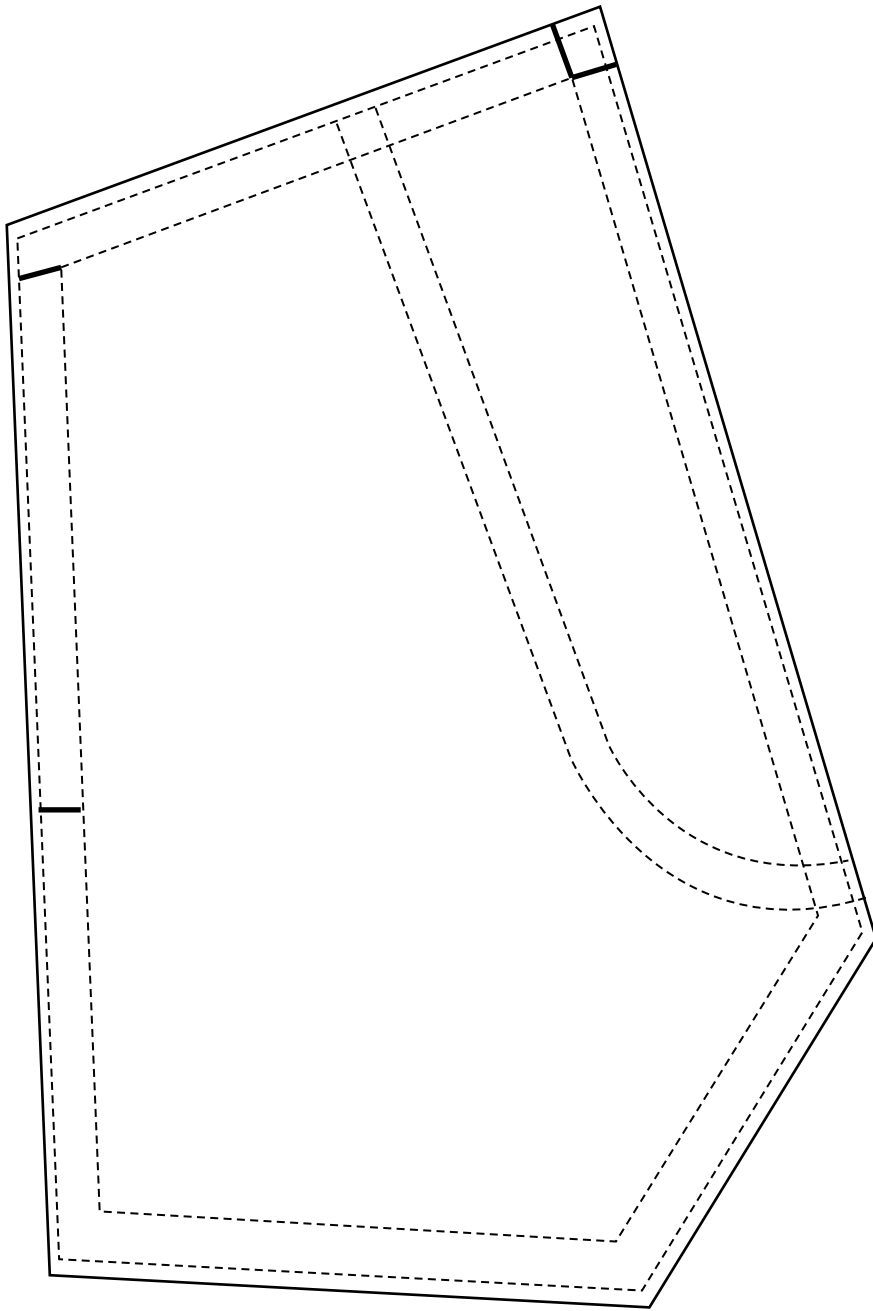
Find the inspiration for many of these designs—  
and many more ideas— at my Pinterest Pocket  
board; click for link.



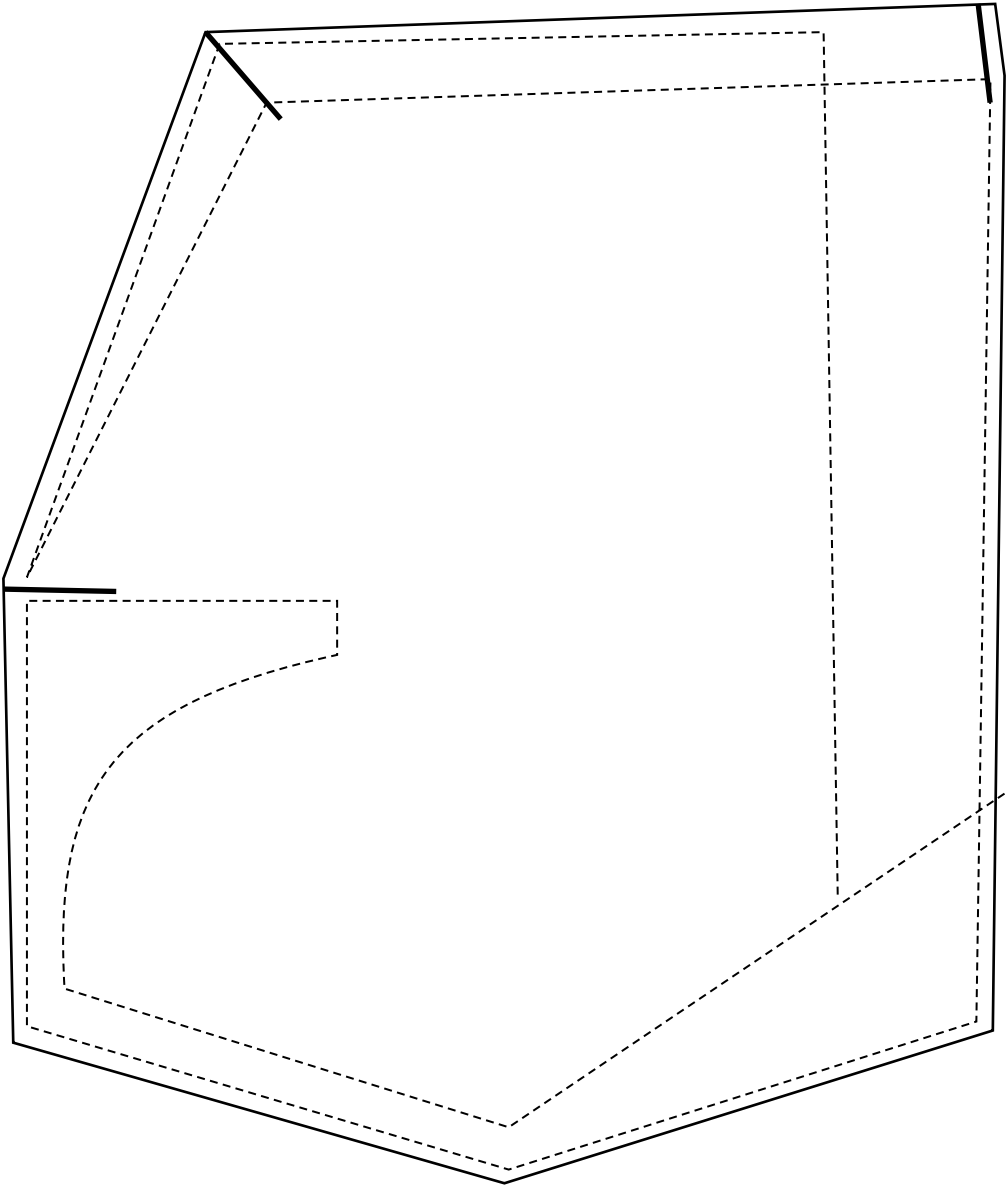
From THE SHIRTMAKING WORKBOOK  
ADD SEAM ALLOWANCES ALL AROUND



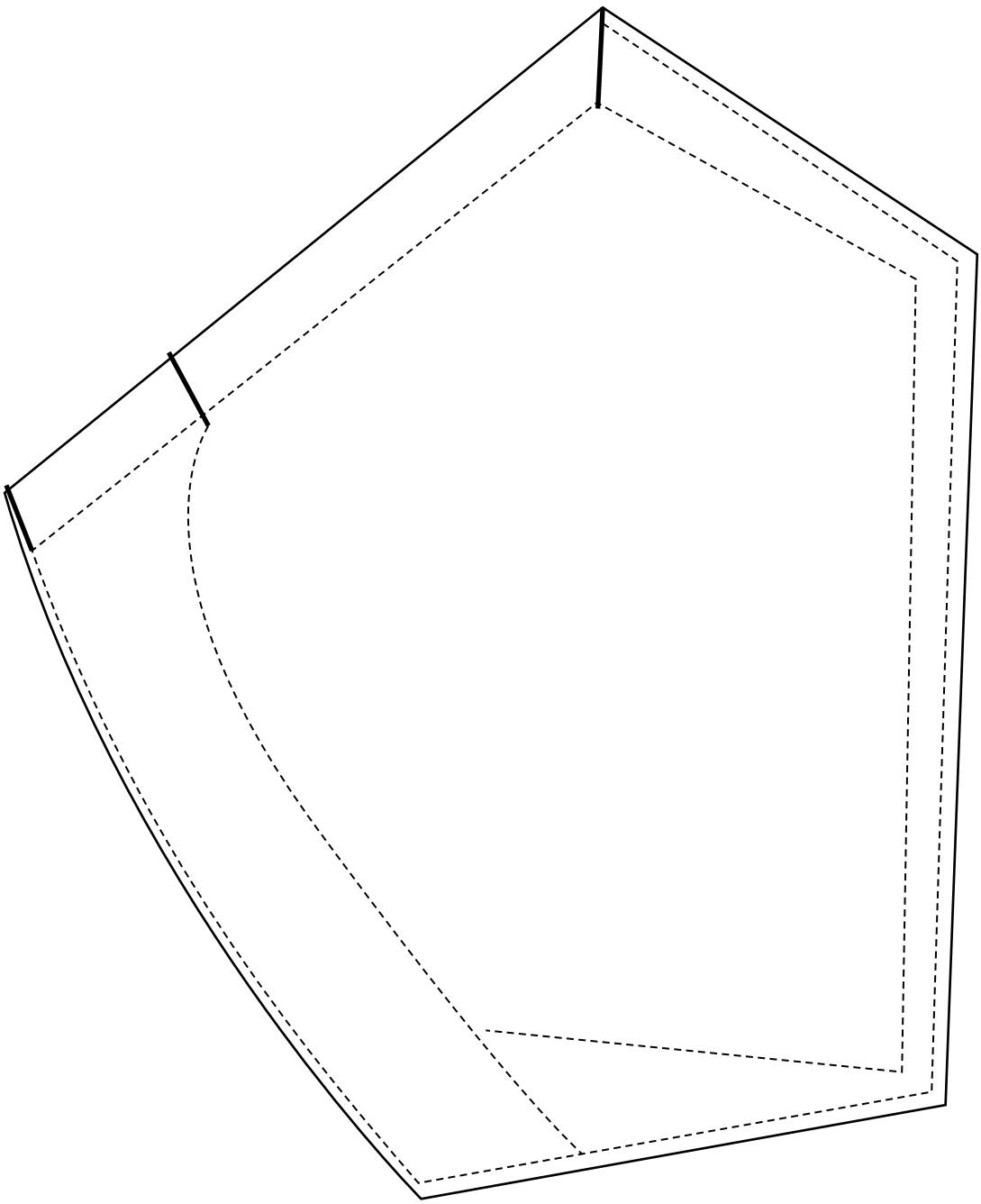
From THE SHIRTMaking WORKBOOK  
ADD SEAM ALLOWANCES ALL AROUND



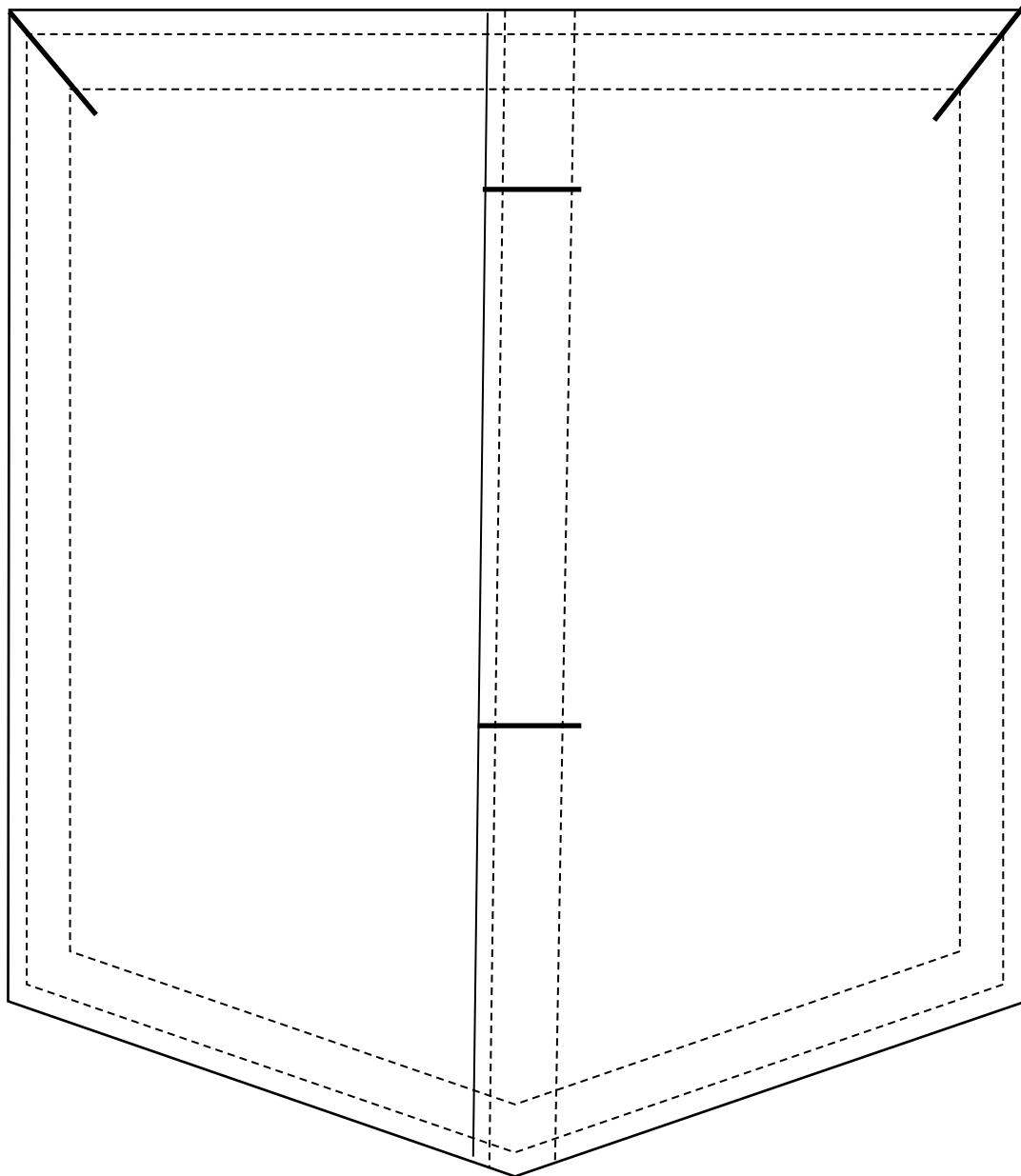
From THE SHIRTMaking WORKBOOK  
ADD SEAM ALLOWANCES ALL AROUND



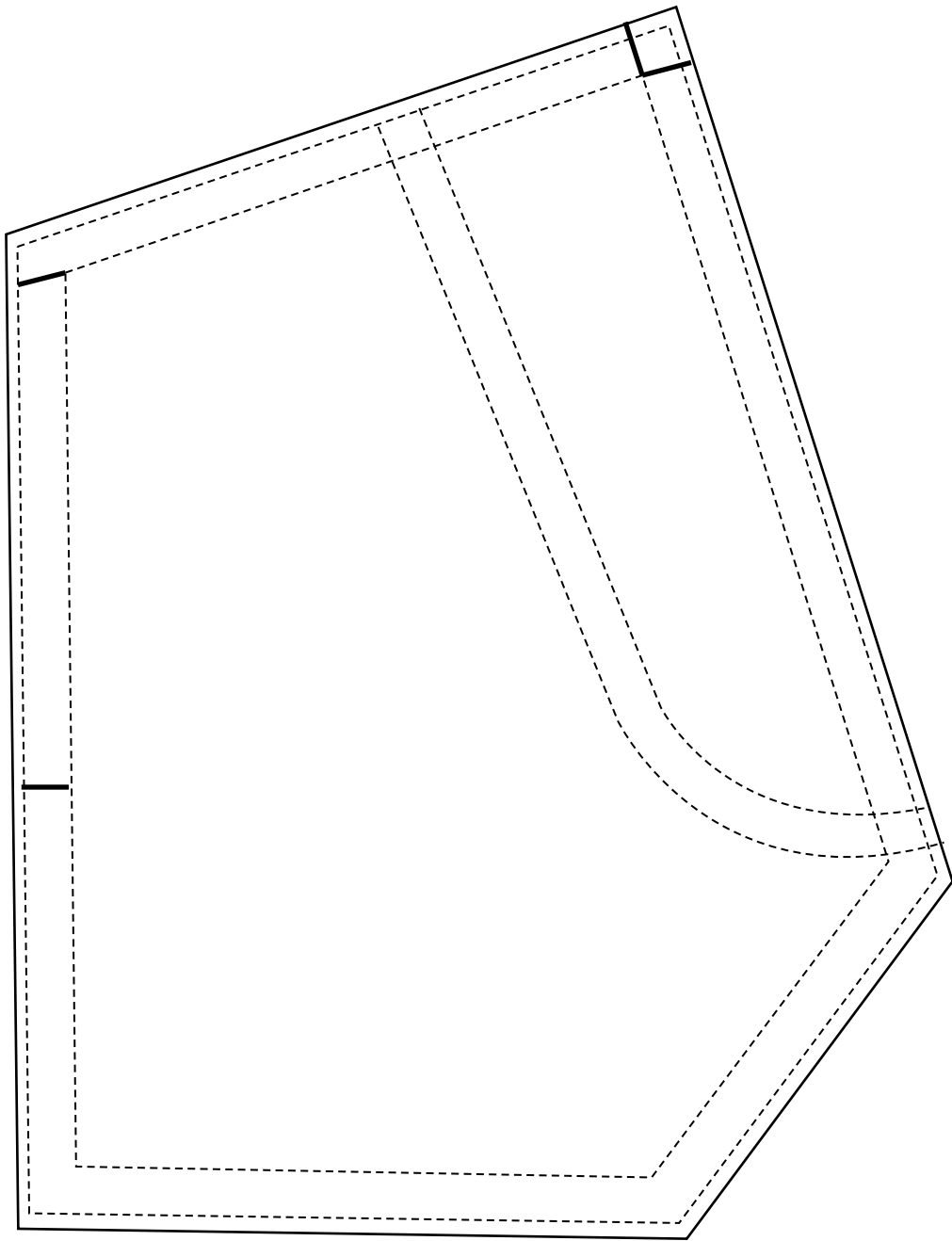
From THE SHIRTMaking WORKBOOK  
ADD SEAM ALLOWANCES ALL AROUND



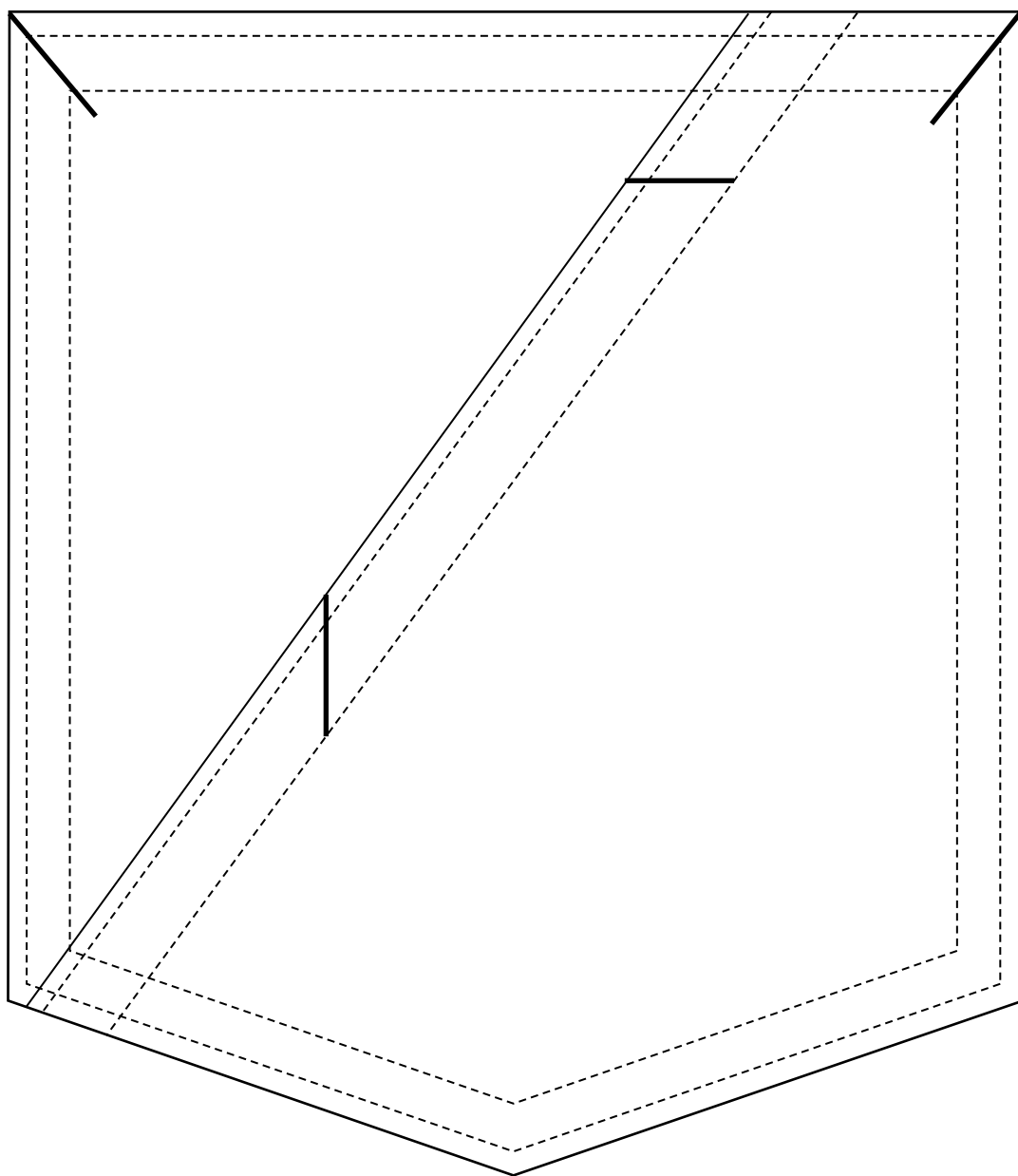
From THE SHIRTMaking WORKBOOK  
ADD SEAM ALLOWANCES ALL AROUND



From THE SHIRTMaking WORKBOOK  
ADD SEAM ALLOWANCES ALL AROUND



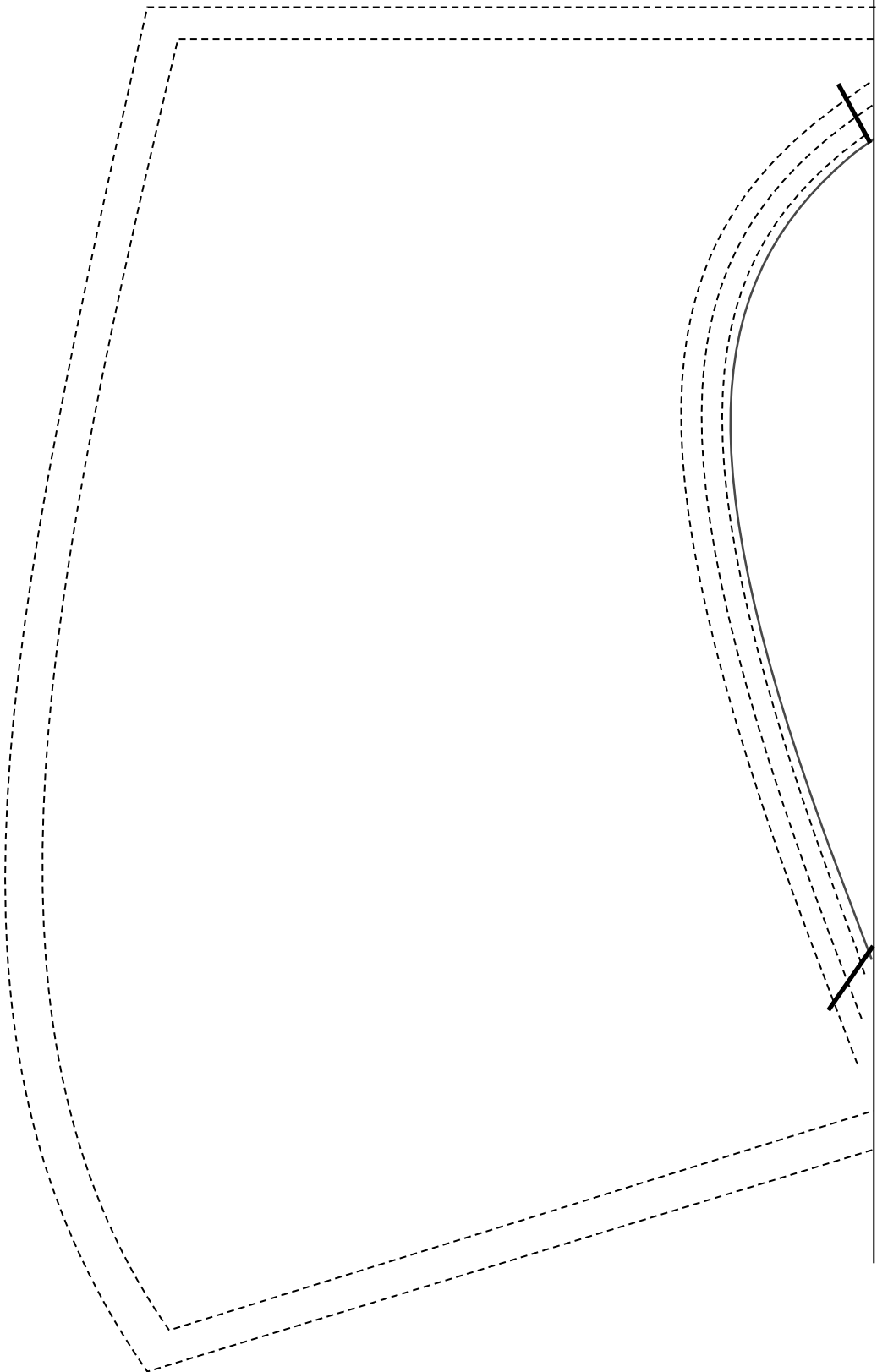
From THE SHIRTMaking WORKBOOK  
ADD SEAM ALLOWANCES ALL AROUND



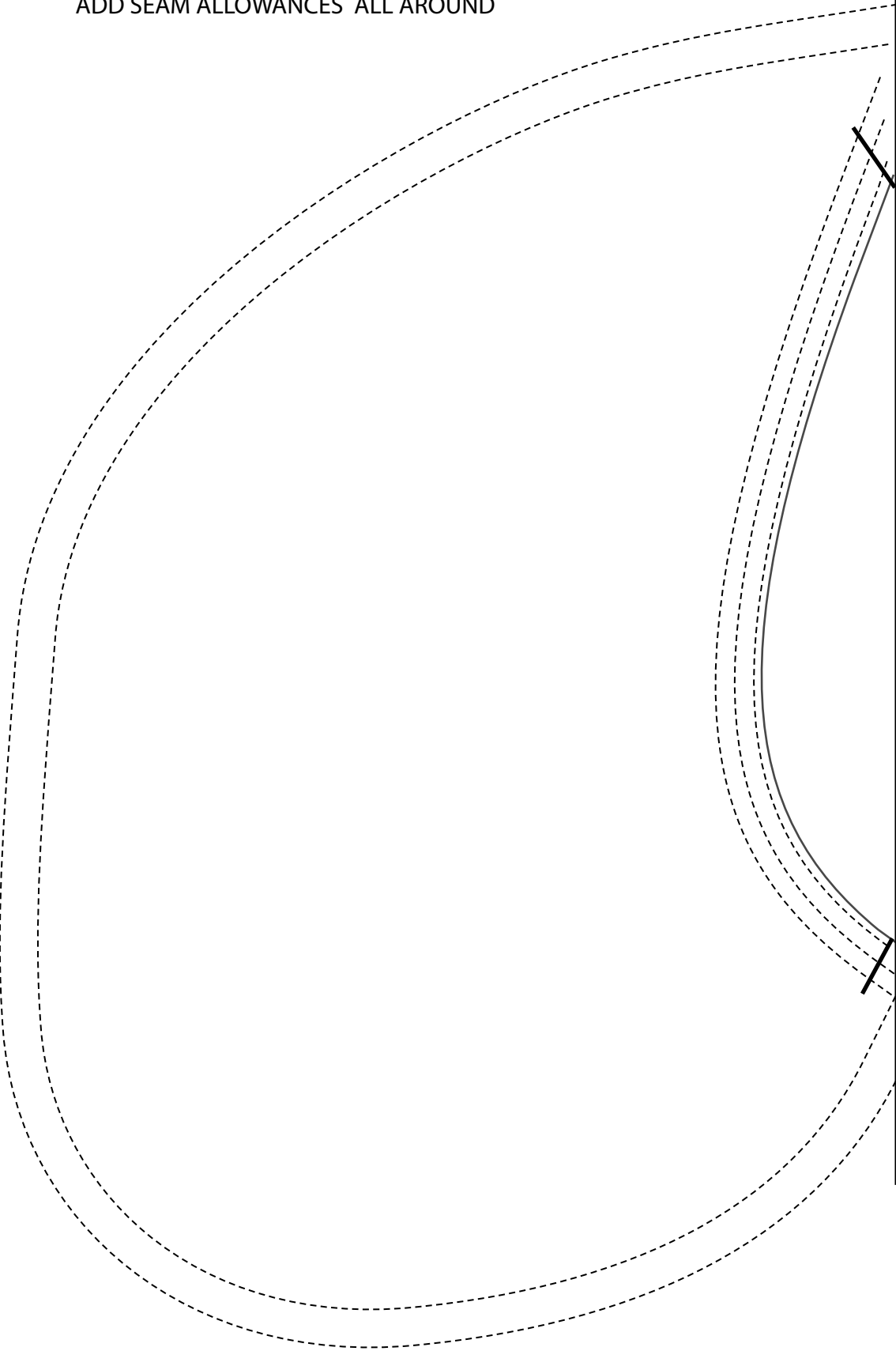
From THE SHIRTMaking WORKBOOK  
ADD SEAM ALLOWANCES ALL AROUND



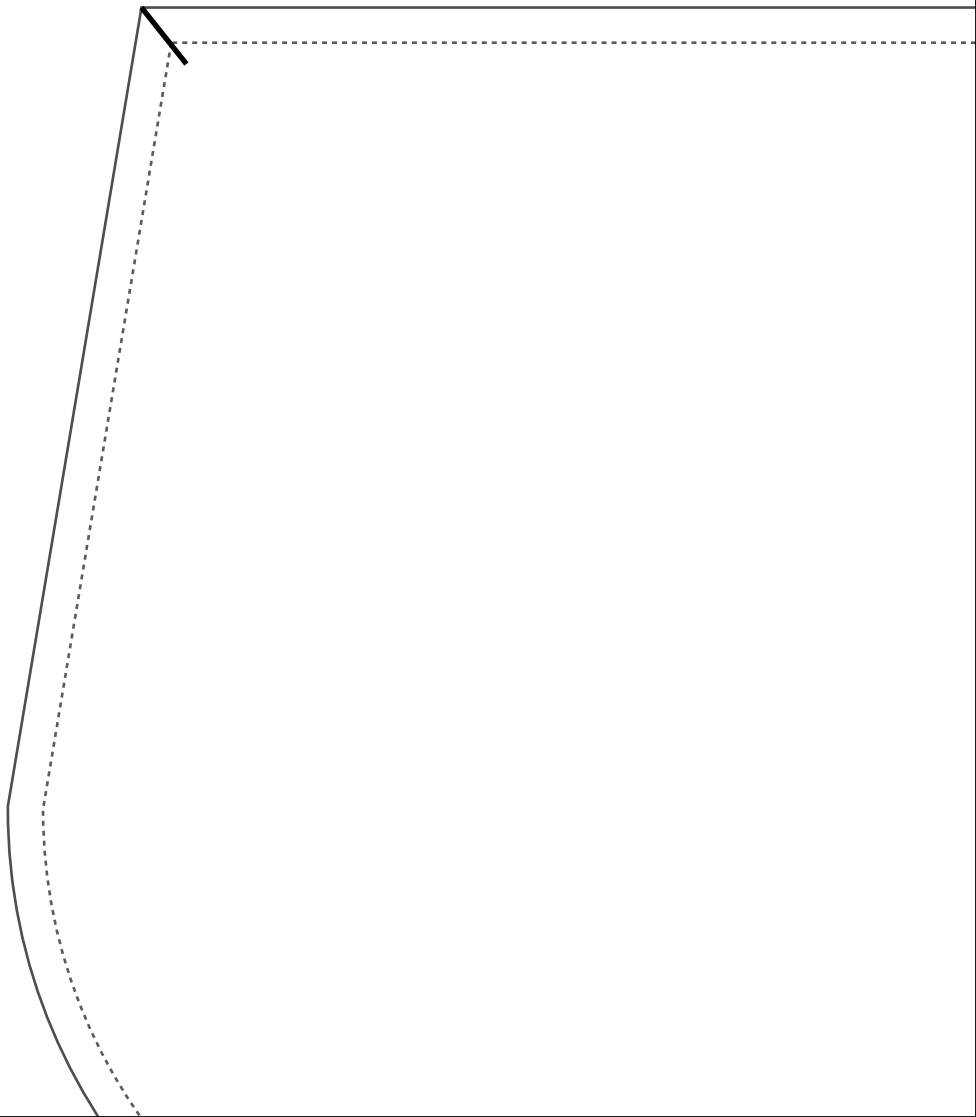
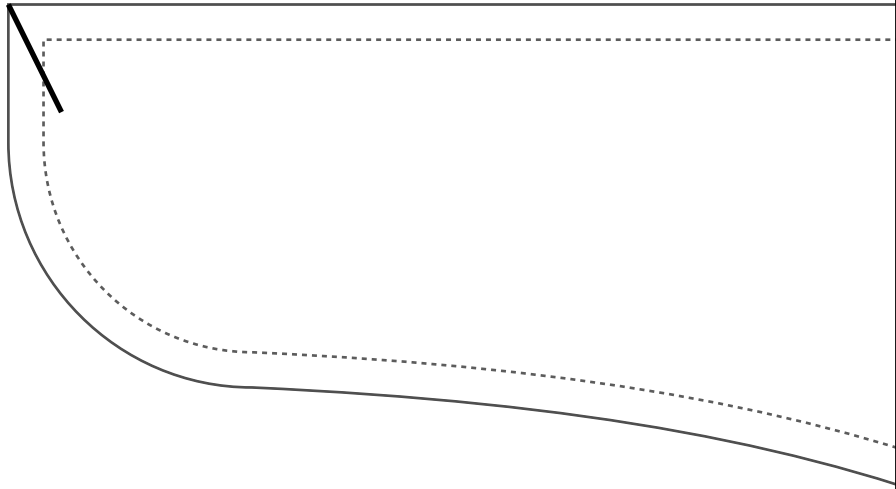
From THE SHIRTMaking WORKBOOK  
ADD SEAM ALLOWANCES ALL AROUND



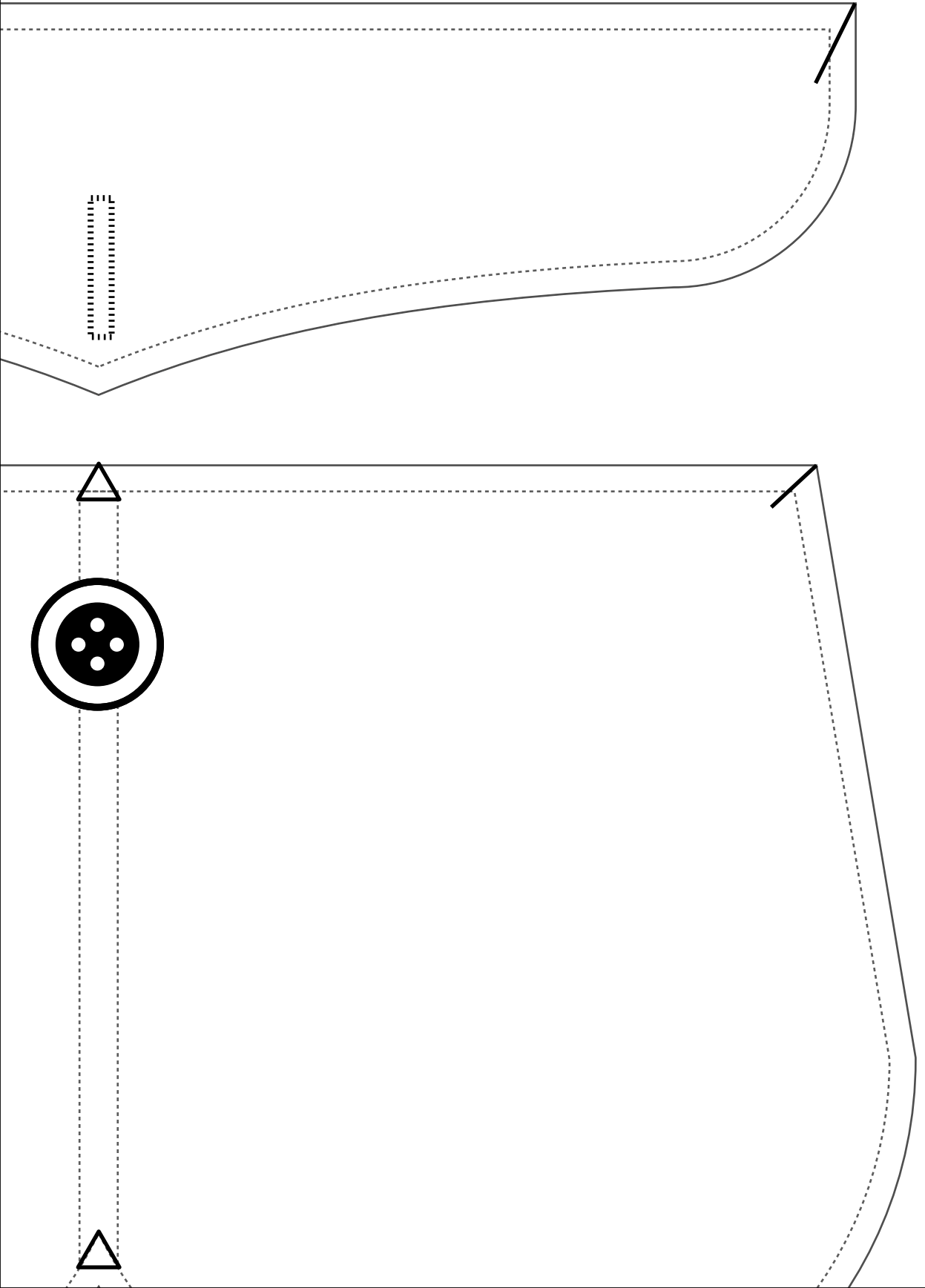
From THE SHIRTMAKING WORKBOOK  
ADD SEAM ALLOWANCES ALL AROUND

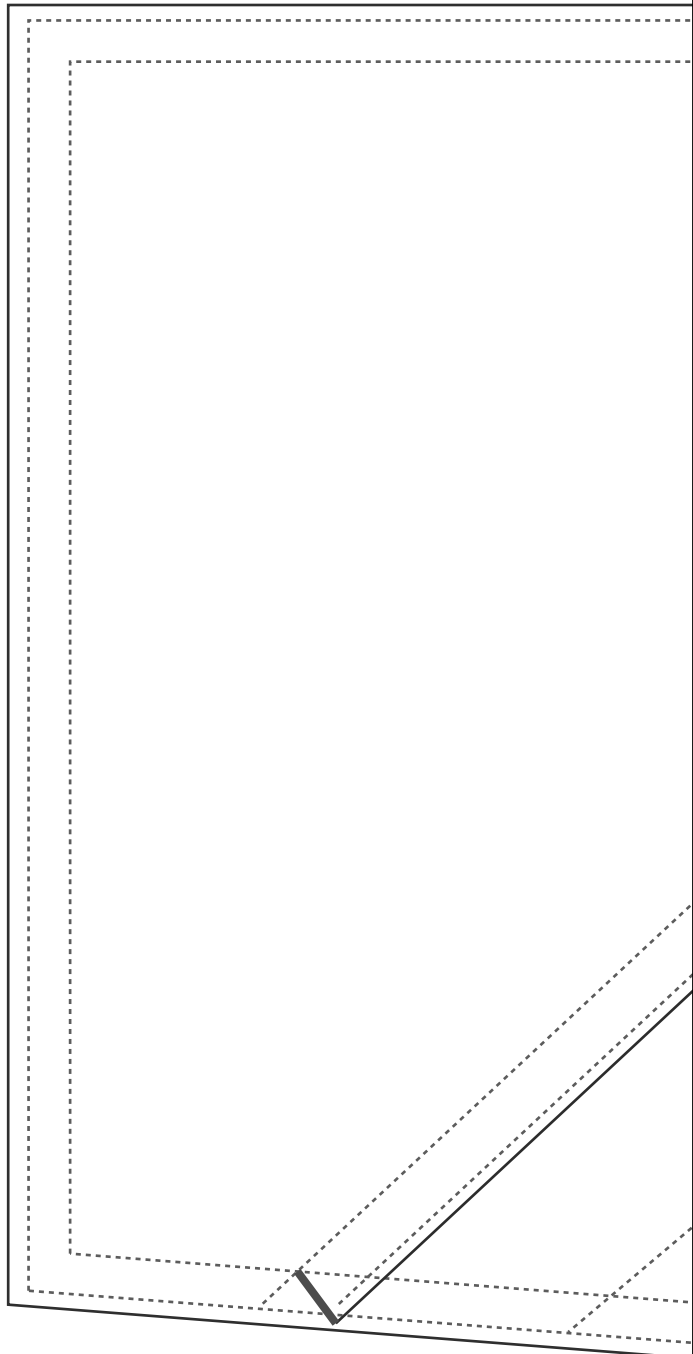
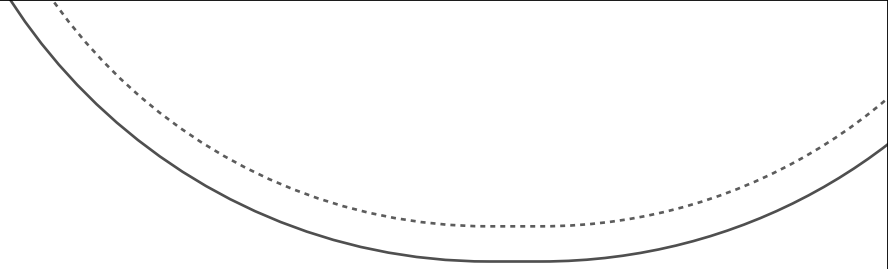


From THE SHIRTMAKING WORKBOOK  
ADD SEAM ALLOWANCES ALL AROUND

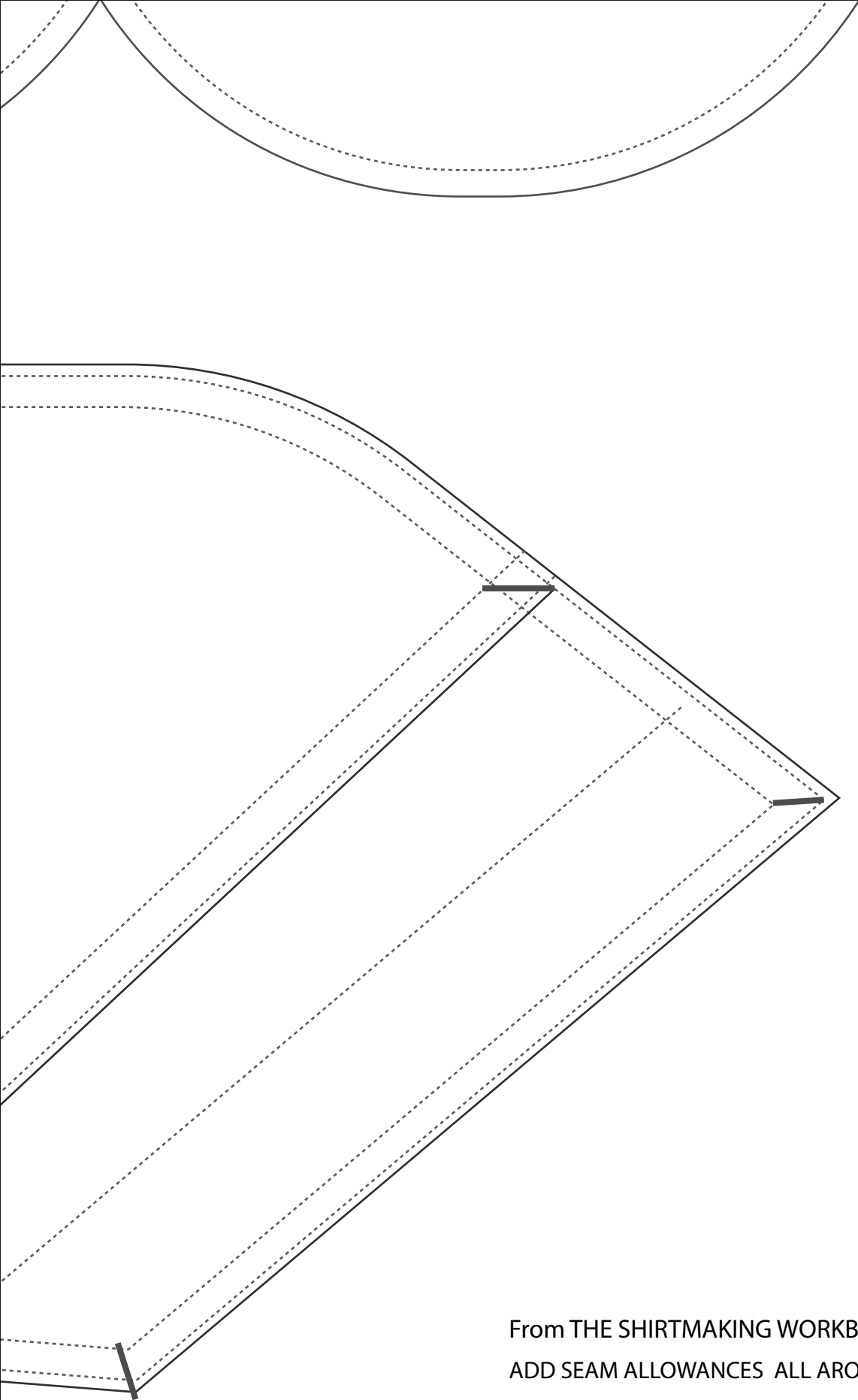


From THE SHIRTMAKING WORKBOOK  
ADD SEAM ALLOWANCES ALL AROUND

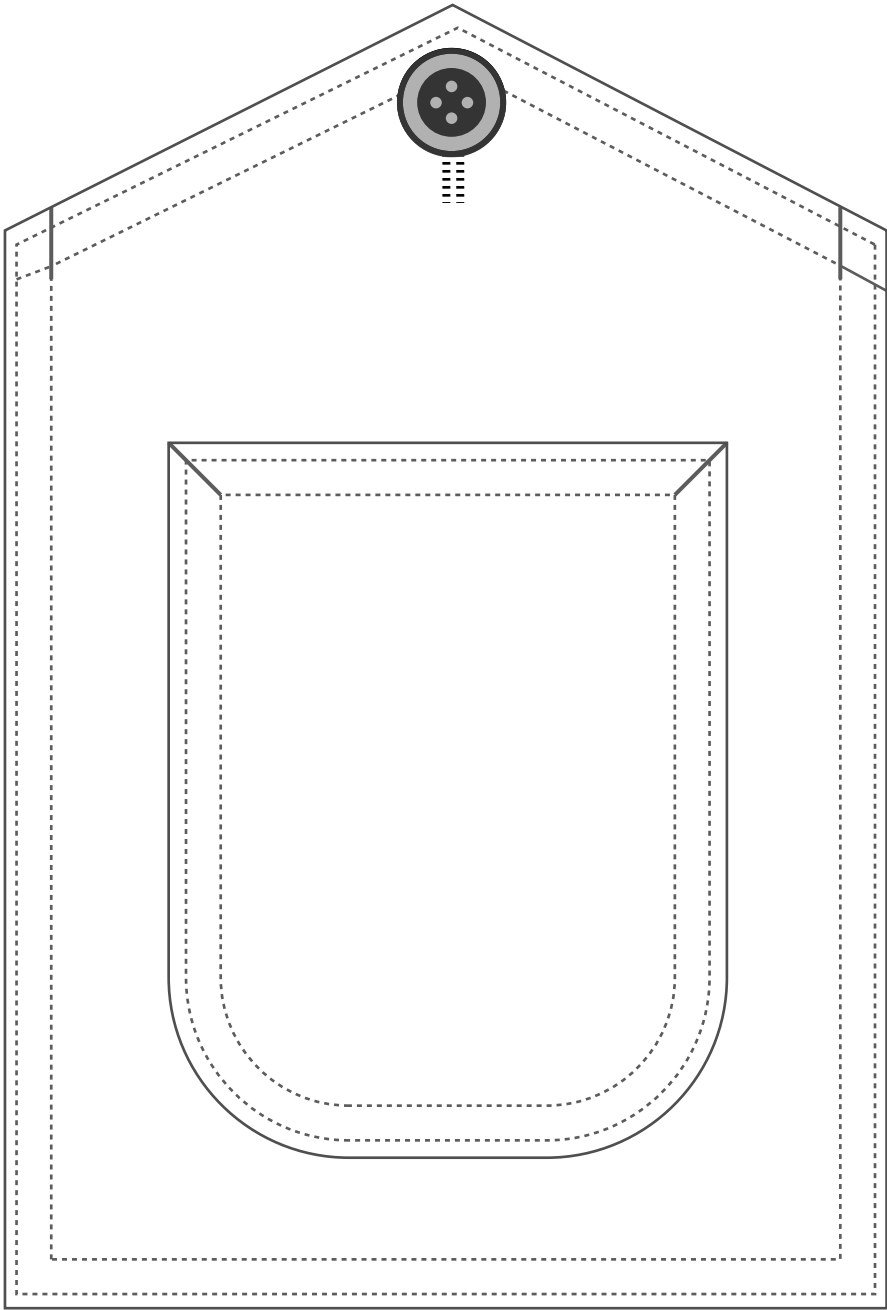




From THE SHIRTMaking WORKBOOK  
ADD SEAM ALLOWANCES ALL AROUND



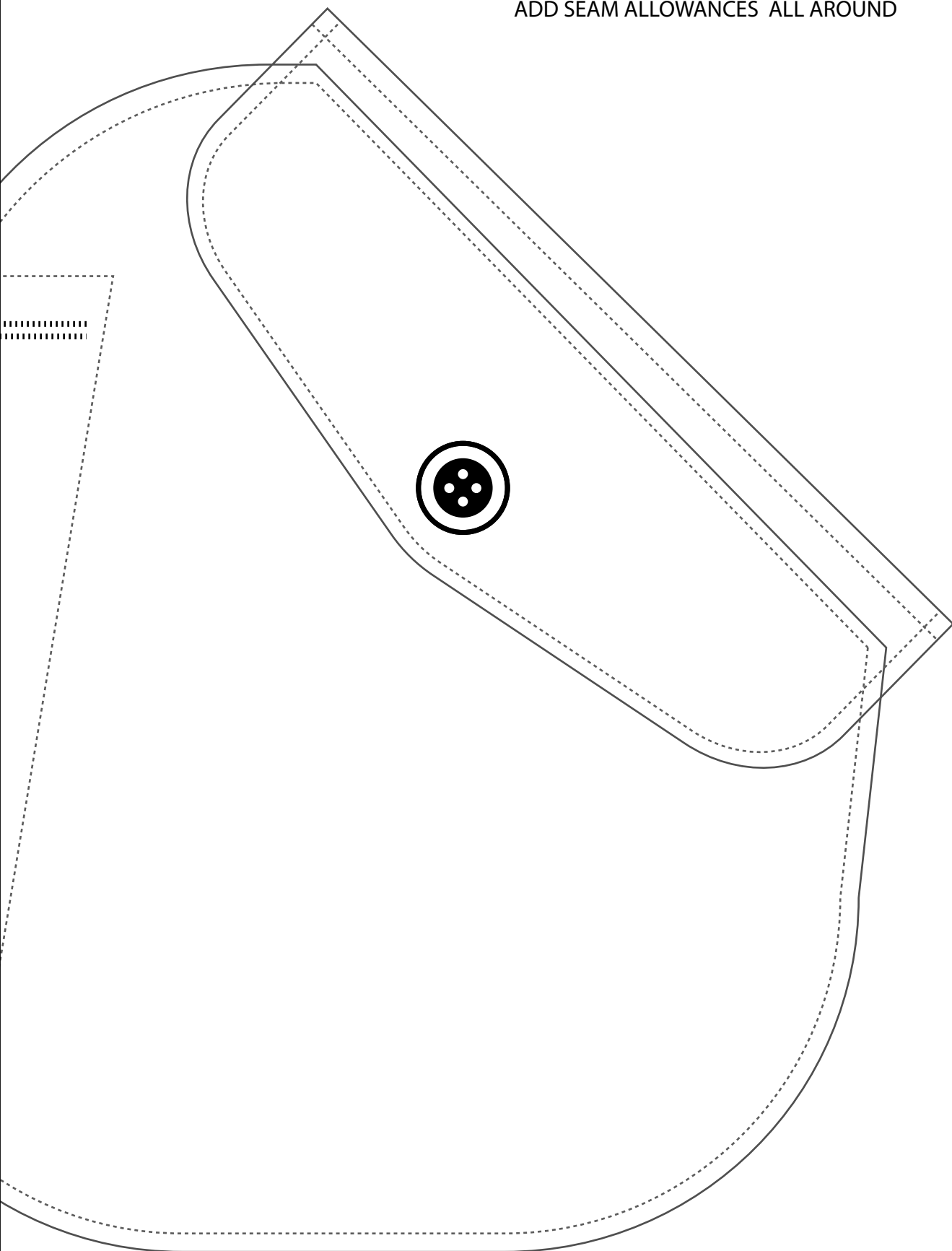
From THE SHIRTMAKING WORKBOOK  
ADD SEAM ALLOWANCES ALL AROUND



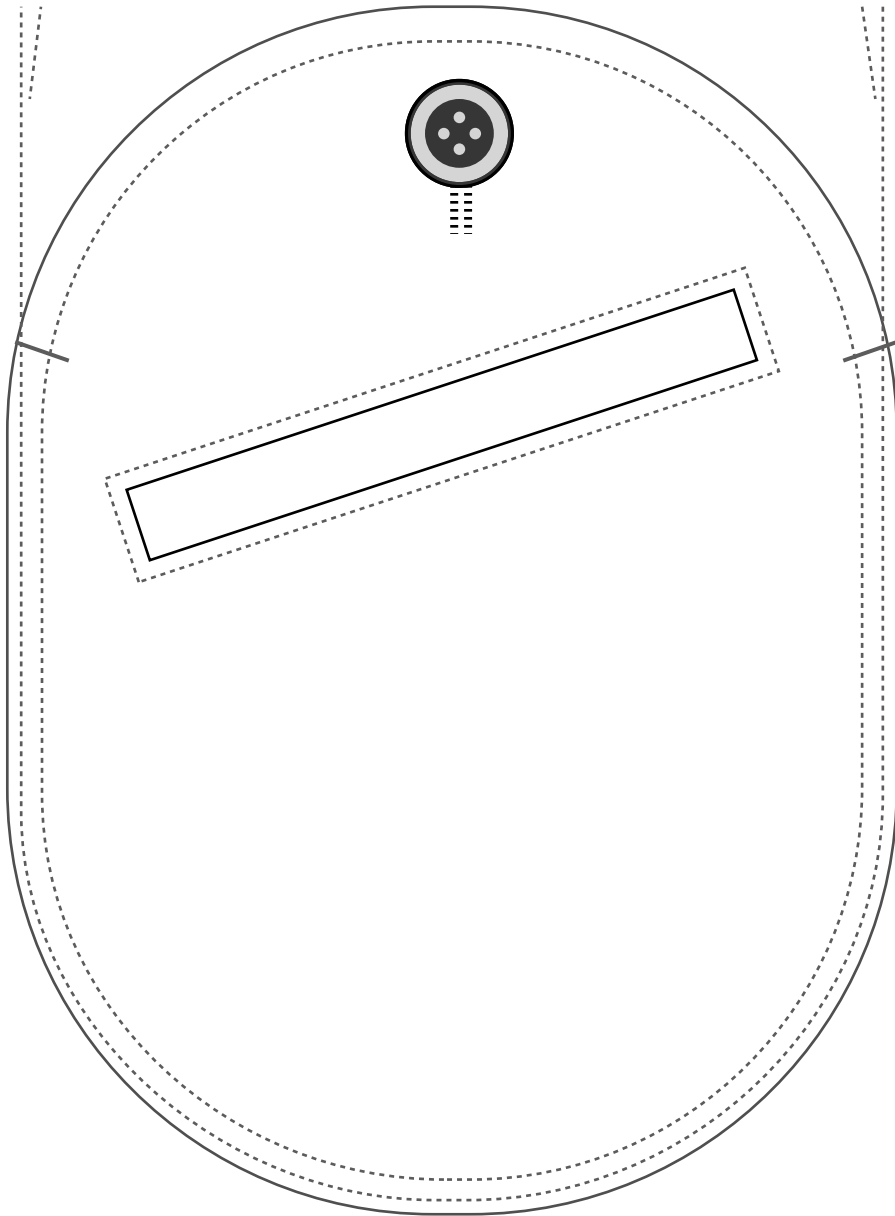
From THE SHIRTMaking WORKBOOK  
ADD SEAM ALLOWANCES ALL AROUND

From THE SHIRTMAKING WORKBOOK

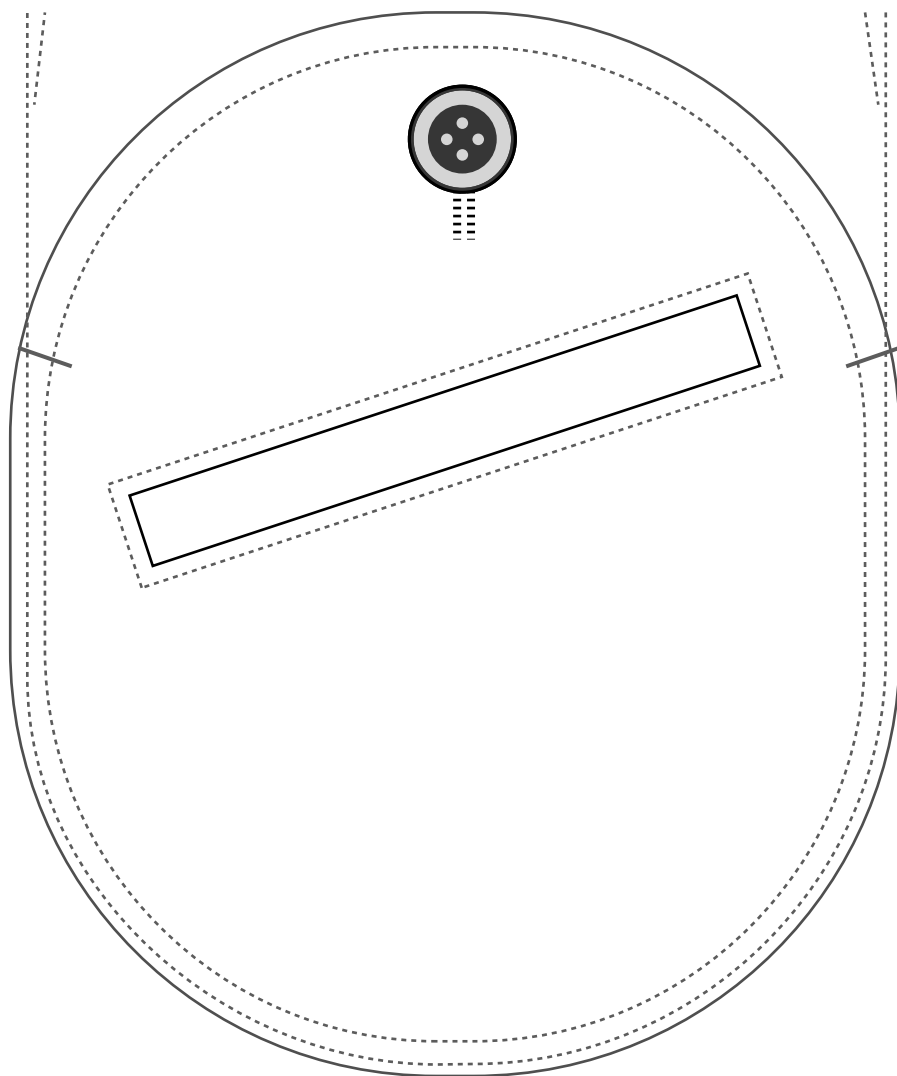
ADD SEAM ALLOWANCES ALL AROUND





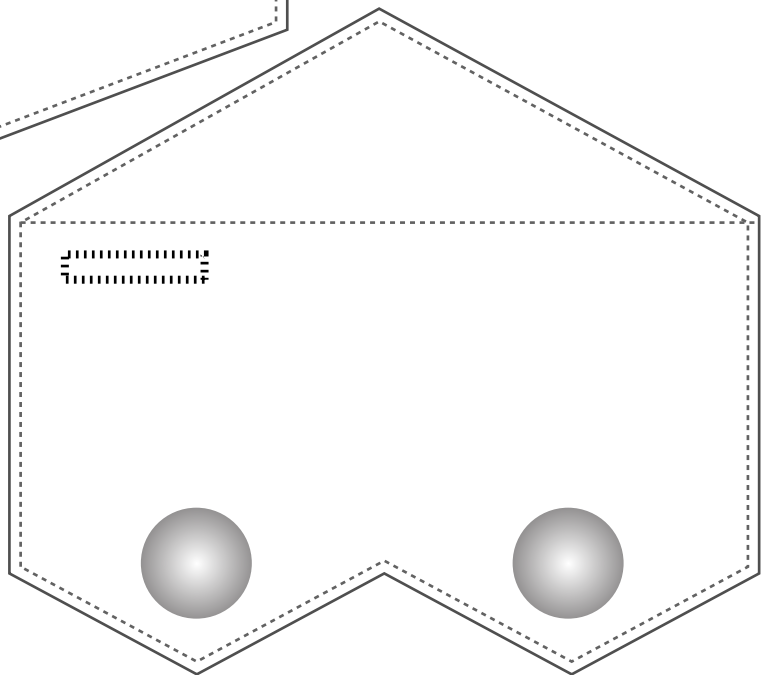
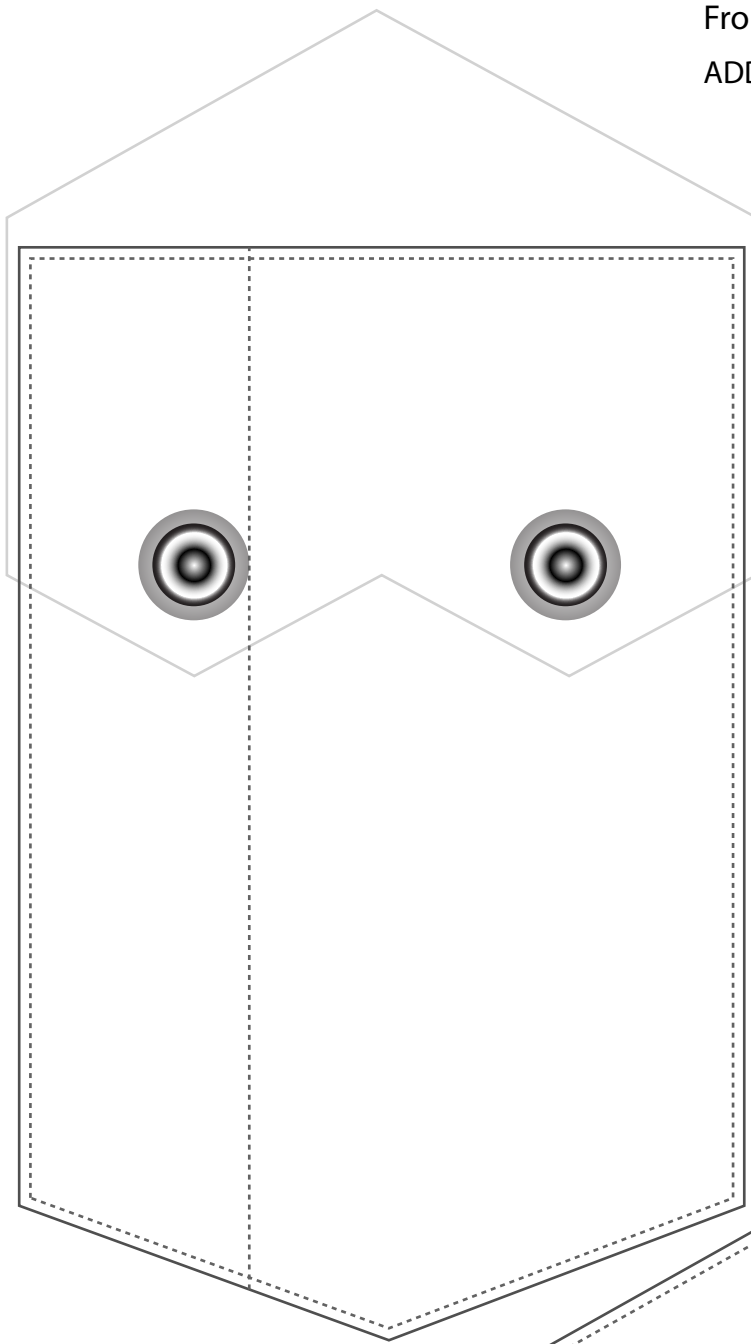


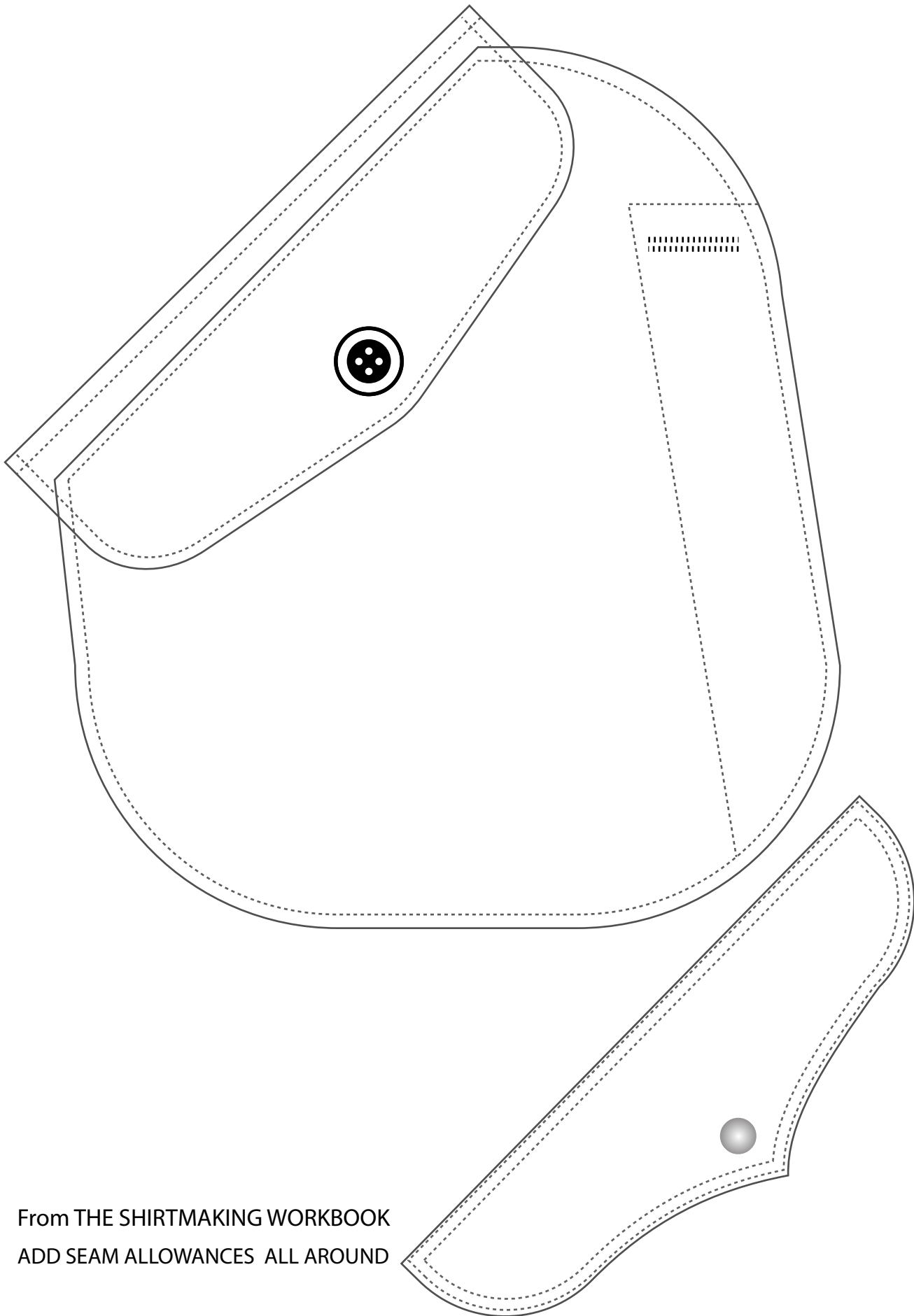
From THE SHIRTMaking WORKBOOK  
ADD SEAM ALLOWANCES ALL AROUND



From THE SHIRTMAKING WORKBOOK  
ADD SEAM ALLOWANCES ALL AROUND

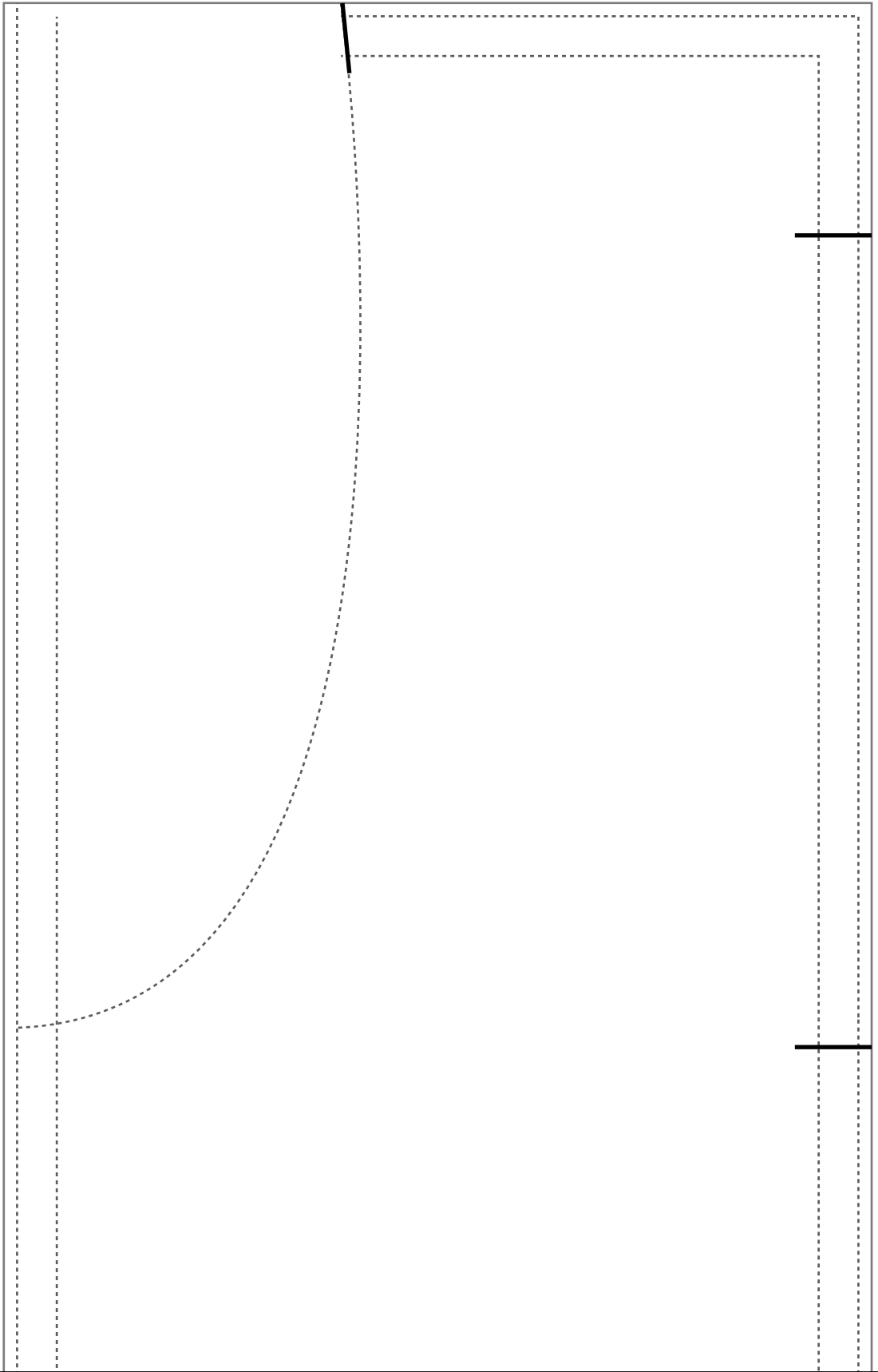
From THE SHIRTMaking WORKBOOK  
ADD SEAM ALLOWANCES ALL AROUND



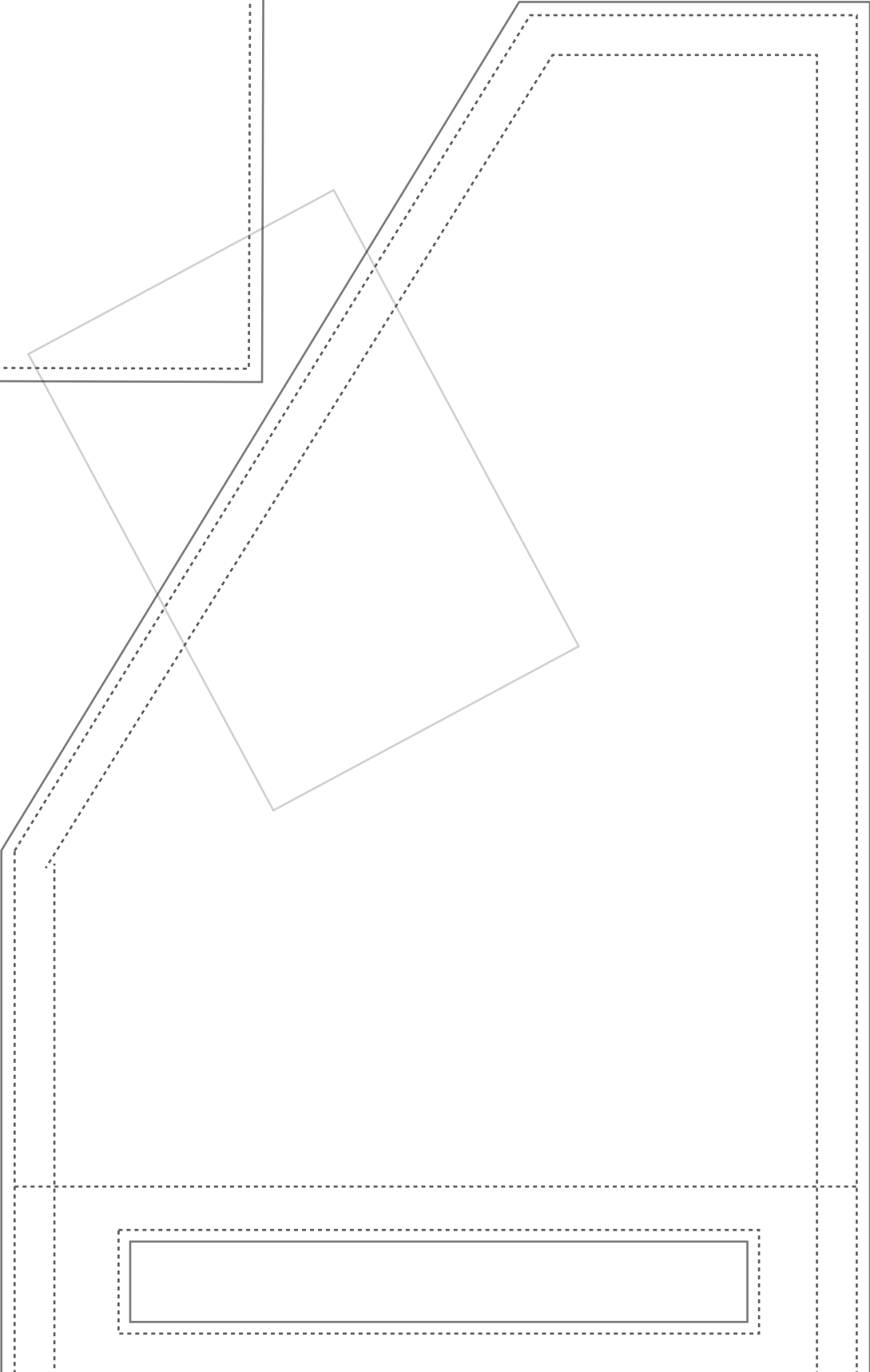
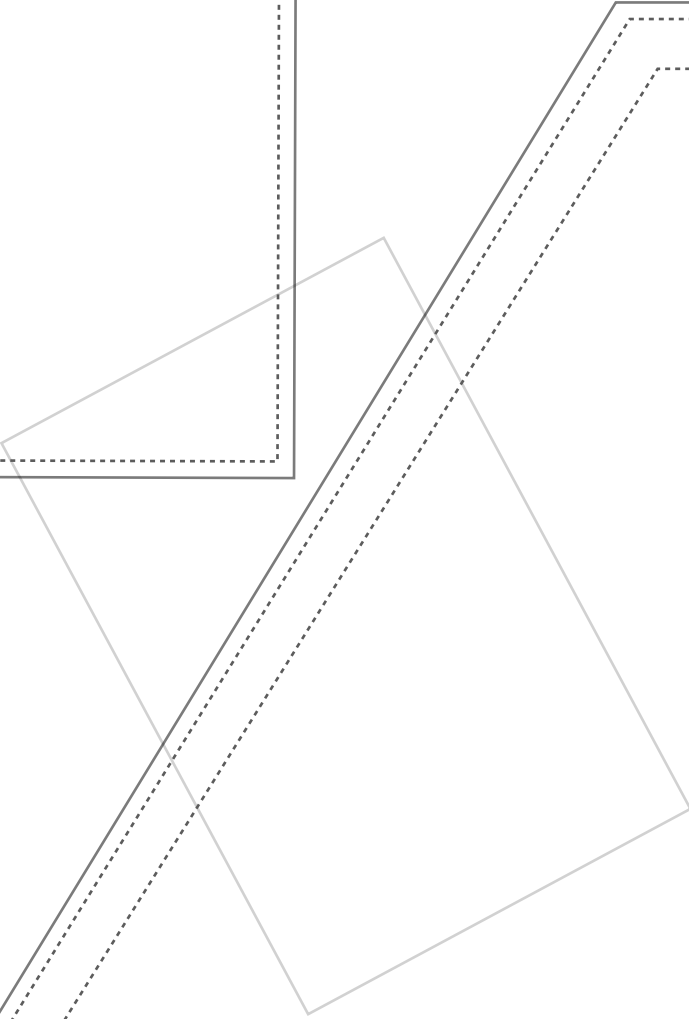
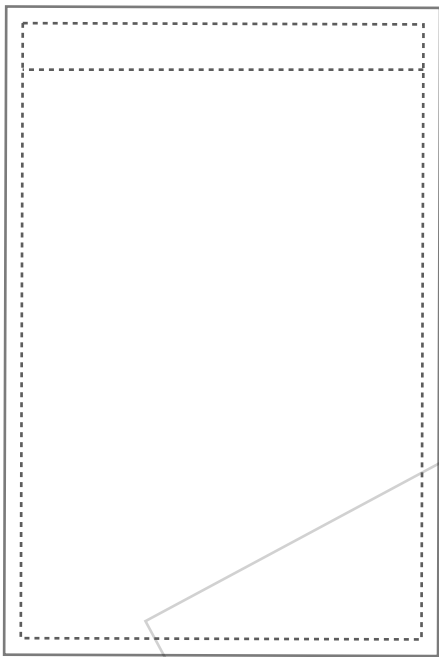


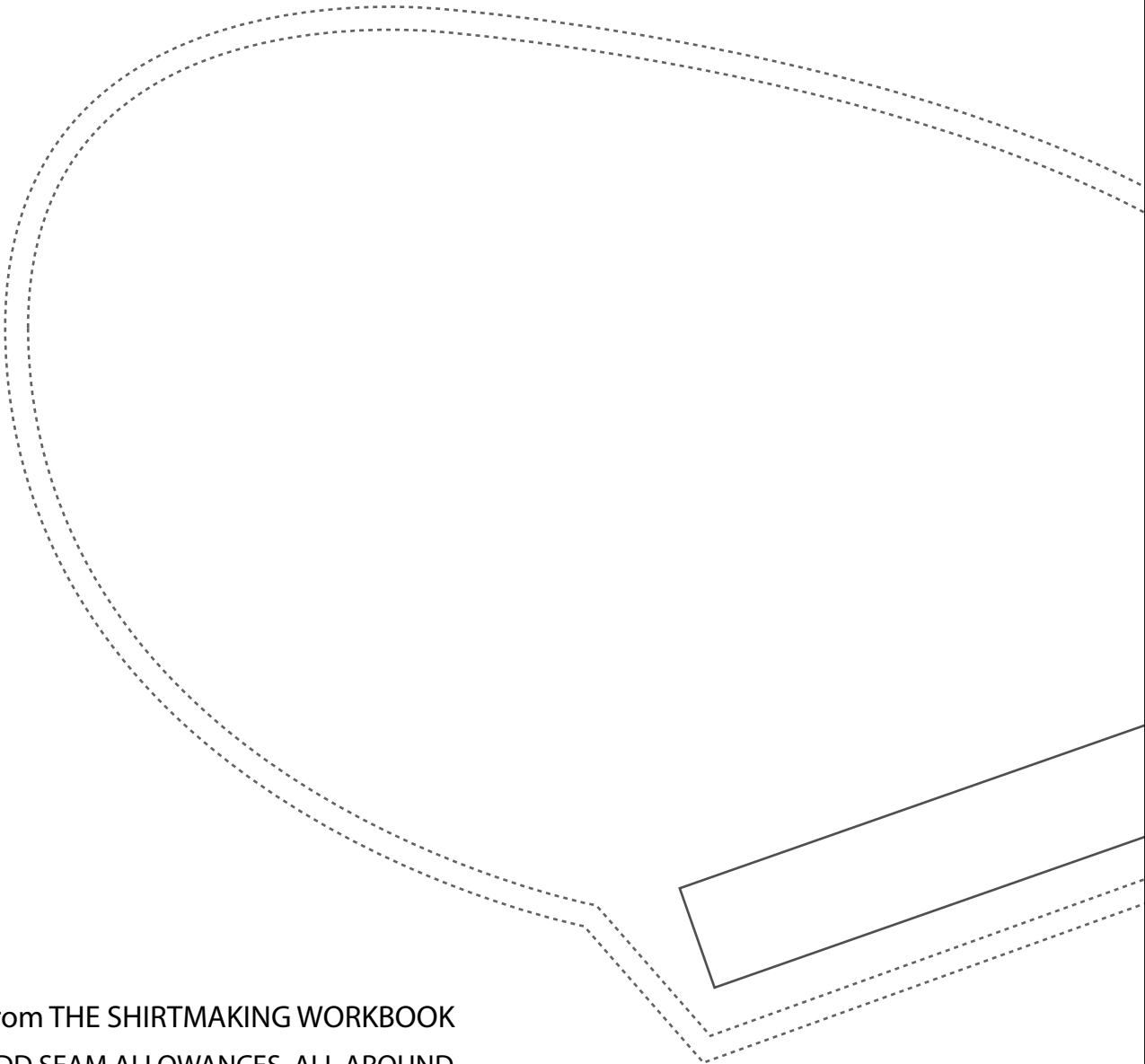
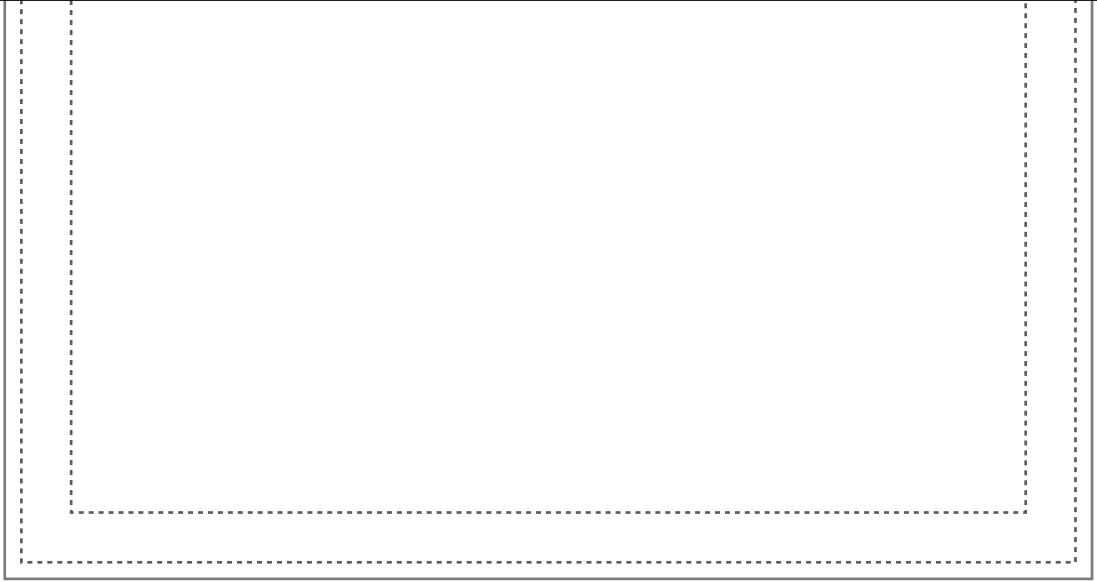
From THE SHIRTMaking WORKBOOK  
ADD SEAM ALLOWANCES ALL AROUND

From THE SHIRTMaking WORKBOOK  
ADD SEAM ALLOWANCES ALL AROUND

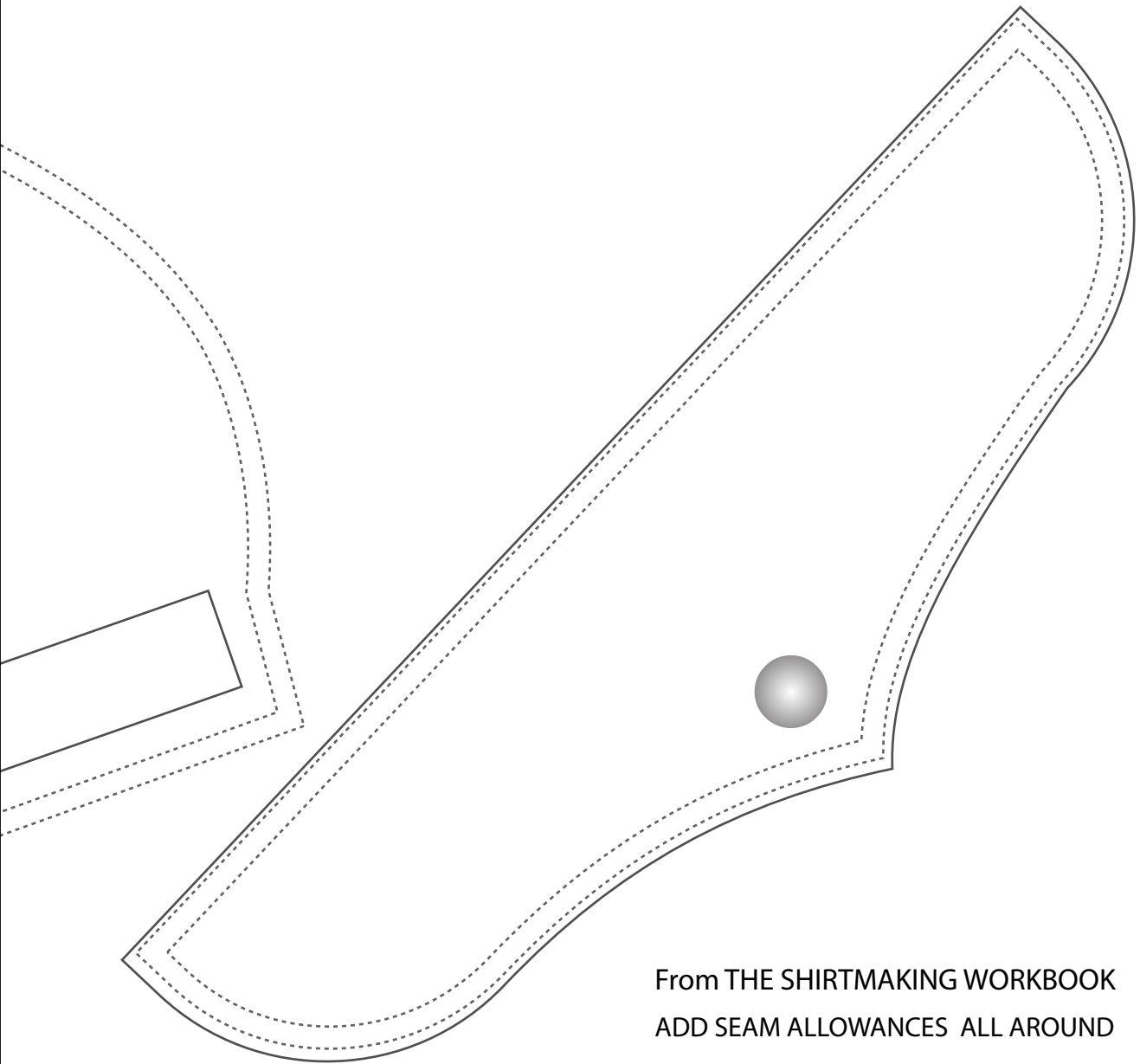
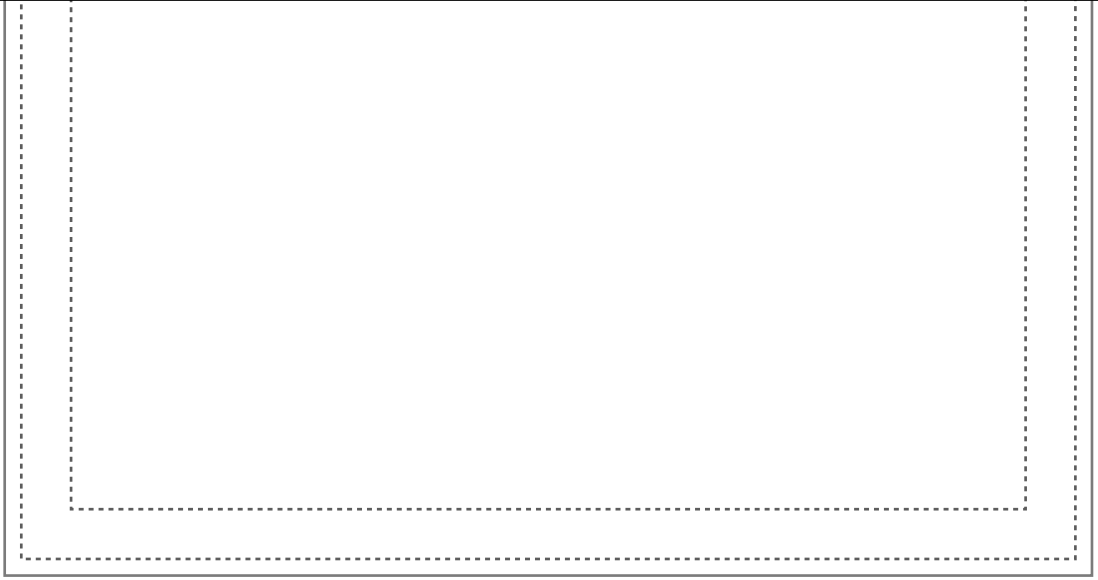


From THE SHIRTMaking WORKBOOK  
ADD SEAM ALLOWANCES ALL AROUND





From THE SHIRTMAKING WORKBOOK  
ADD SEAM ALLOWANCES ALL AROUND



From THE SHIRTMAKING WORKBOOK  
ADD SEAM ALLOWANCES ALL AROUND